

## ARF 203 Flow-Through Fitting

Flow-through fitting with G 1 ¼" threaded coupling  
(25 mm / Ingold socket)



ARF 203 flow-through fitting with G 1 ¼", Ingold (25 mm) sensor location for use with SensoGate WA 130 and WA 131(M) retractable fittings, for combination with the ARI 106 (H) inline fitting or for use with sensors such as the SE 605 (H) conductivity sensor. High-quality 1.4571 stainless steel enables the fitting to be used at high pressures and temperatures. In the Hastelloy C22 variant, it is also suitable for highly complex chemical processes.

### Applications

Material stainless steel 1.4571: pH, conductivity and oxygen measurement in ultrapure water, slightly polluted water, cooling water, drinking water; trace-oxygen measurement in boiler feed water

Material Hastelloy C22:

Increased chemical resistance for corrosive or aggressive process media.

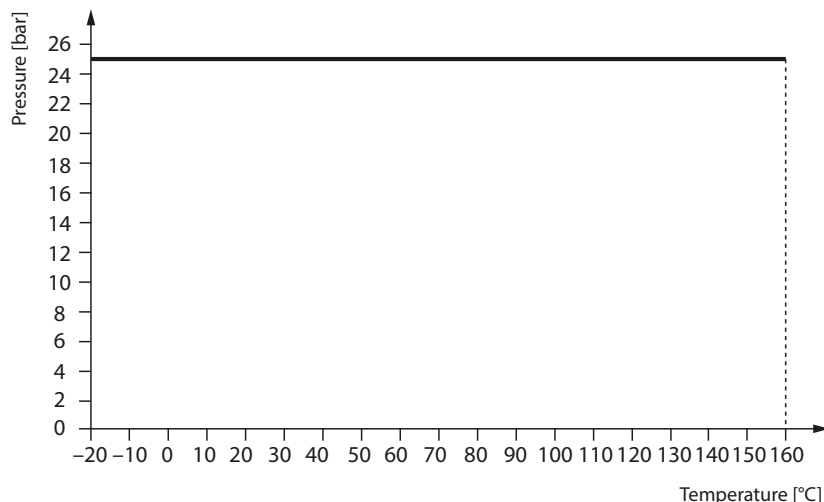
### Facts and Features

- Stainless steel 1.4571 or Hastelloy C22
- For sensors with a G 1 ¼" / 25 mm connection (Ingold socket)
- For SensoGate WA 130 and WA 131 (M) retractable fittings
- For use with the ARI 106 (H) inline fitting
- Flow direction 90° or 180° (adjustable with screw plug)
- Process connection via G ¼" female thread

### Specifications

Material:	Stainless steel 1.4571 / Hastelloy C22
Pressure:	Max. 25 bar
Gasket material:	FKM
Temperature:	-20 ... 160 °C
Sensor location:	1 x G 1 ¼" / 25 mm (Ingold socket)
Process connection:	G¼" 90°: stainless steel 1.4571 / Hastelloy C22 G¼" 180° staggered: only stainless steel 1.4571

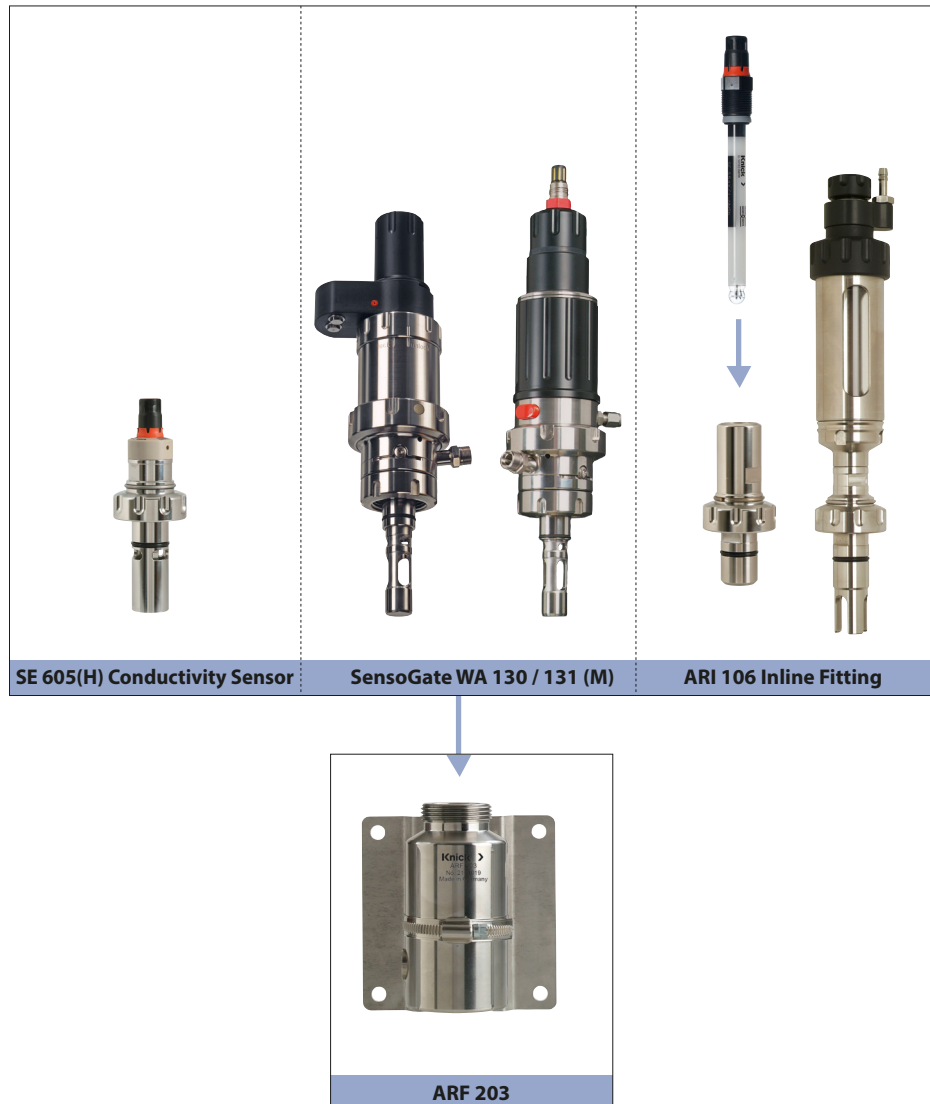
### Pressure/Temperature Diagram



# ARF 203 Flow-Through Fitting

## Modular System

The ARF 203 flow-through fitting has a sensor location for G 1 ¼" (25 mm) couplings. These device configurations are possible:



## Product Range

### Fitting

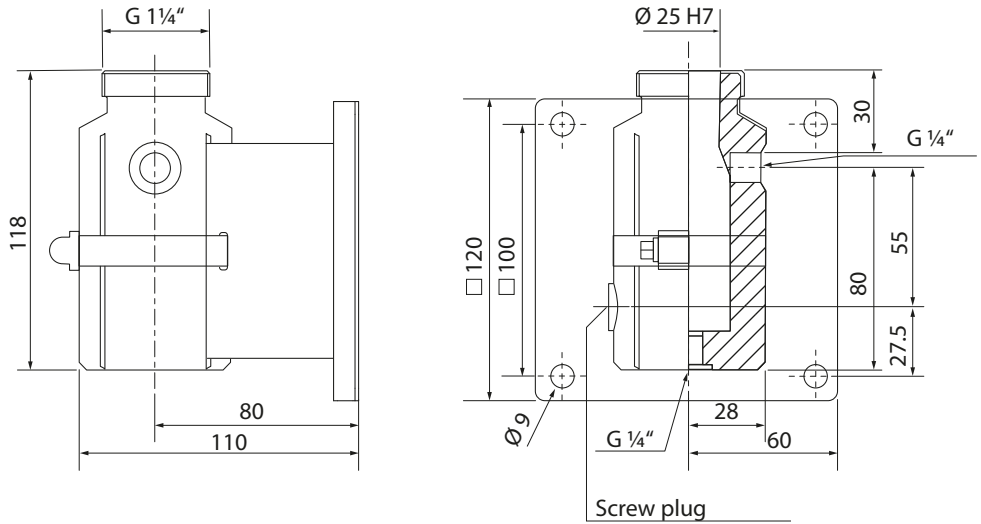
ARF 203 flow-through fitting  
(including wall holder)

G 1 ¼", steel 1.4571, G ¼" female thread  
G 1 ¼", Hastelloy C22, G ¼" female thread

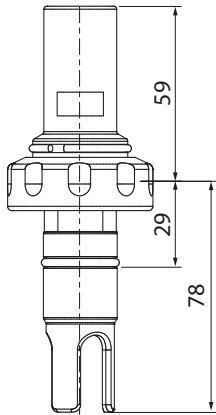
### Order No.

**ARF 203**  
**ARF 203/HC22**

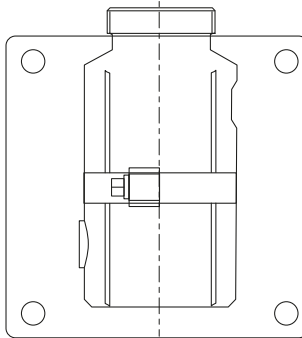
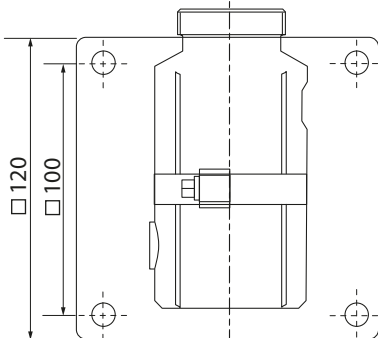
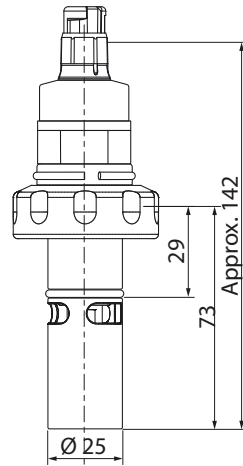
Dimension Drawings



ARI 106 (H)



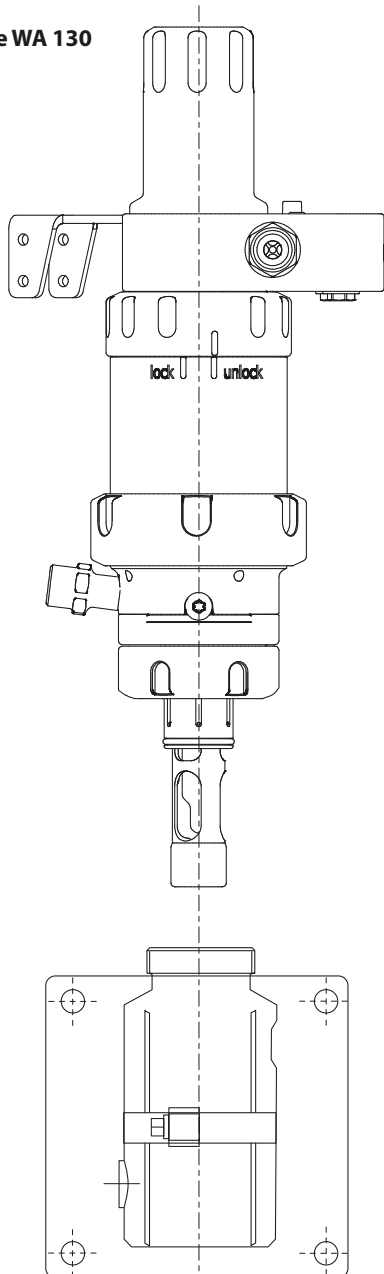
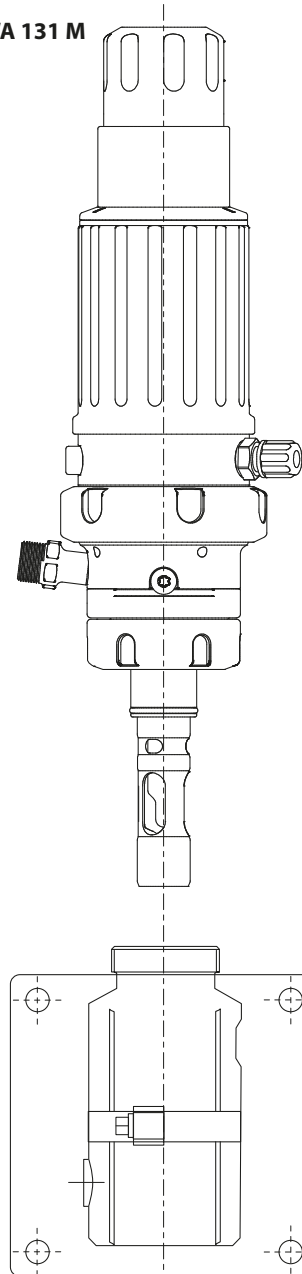
SE 605 (H)



All dimensions in mm.

# ARF 203 Flow-Through Fitting

## Dimension Drawings – Continued

**SensoGate WA 130****SensoGate WA 131 M**

All dimensions in mm.